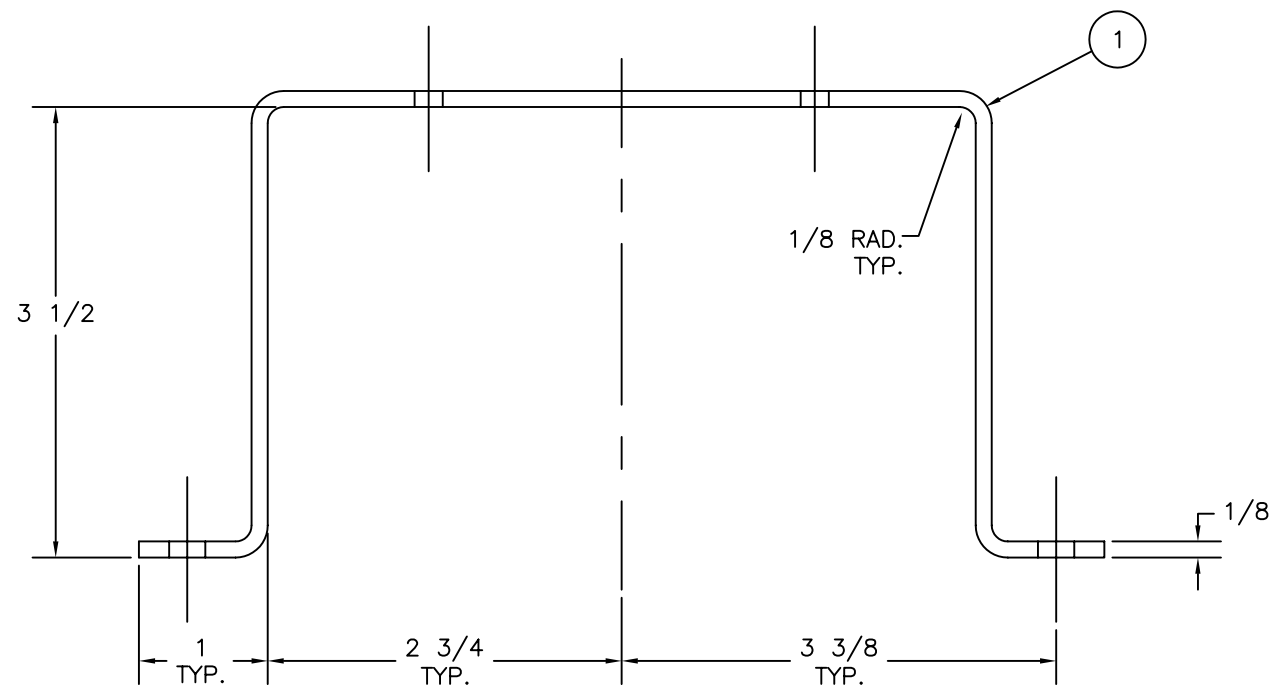


TOP VIEW
SCALE: FULL



SIDE VIEW
SCALE: FULL

BILL OF MATERIALS

ITEM NO.	NO. REQ.	DESCRIPTION	MATL.	REMARKS
1	1	SUPPORT BRACKET	STAIN. STEEL	1/8 THK.

NOTES:

- SEE LATEST REVISION OF U.S.C.G. CIVIL ENGINEERING SPECIFICATION No. 364 FOR FABRICATION REQUIREMENTS.

A	12-7-99	W.D.	REDRAWN USING AUTOCAD. ADDED BILL OF MATERIALS.	S.M.
REV.	DATE	APPR.	DESCRIPTION	BY
DESIGNED:			U.S. COAST GUARD	HEADQUARTERS
DRAWN: G.W.B.			OCEAN ENGINEERING ICE BUOY SUPPORT BRACKET	
TRACED: S.M.				
CHECKED: L.J.B.				
REVIEWED BY:				
P. J. Glahe CH. B & S SEC				
REVIEWED BY:				
R. Bates CH. SIG. BR.				
REVIEWED BY:	APPROVED:		L. R. Lomer	DATE 5/28/81
			CHIEF OF DIVISION	
UNLESS OTHERWISE SPECIFIED: ALL DIMENSIONS ARE IN INCHES. TOLERANCES: DIM. $\pm 1/32$ ANG. $\pm 30^\circ$			DRAWING NUMBER 120975	REV. A
SCALE: FULL			SHEET 1 OF 1	